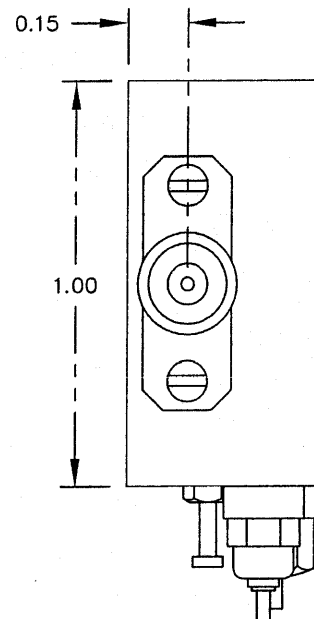
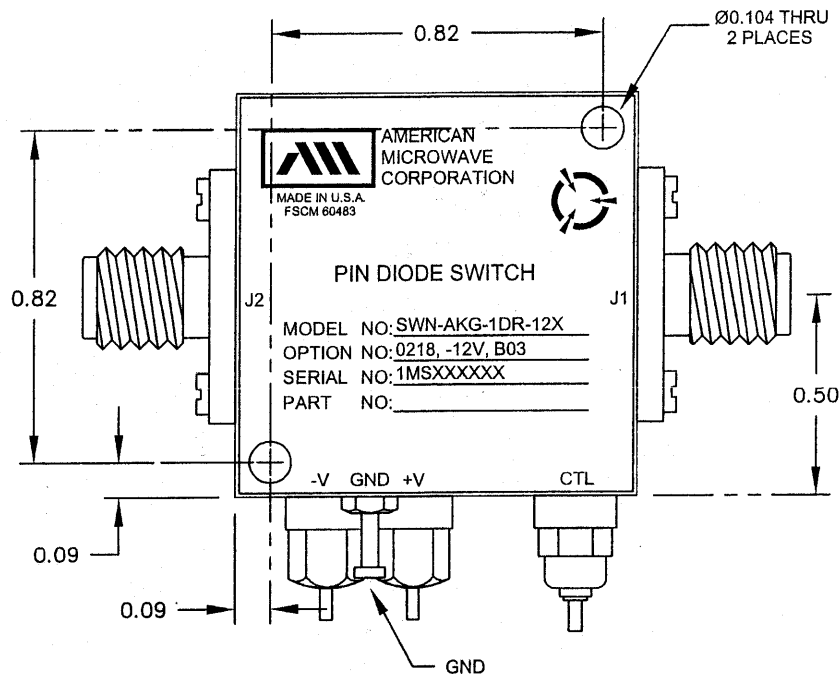


DESCRIPTION:

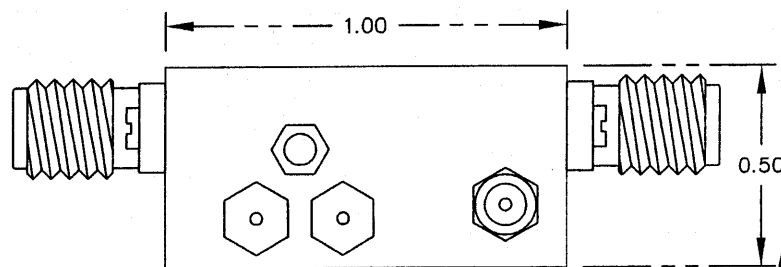
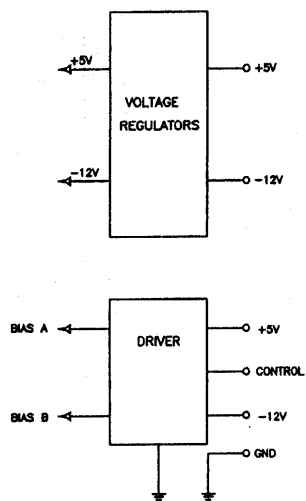
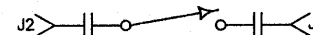
AMC MODEL SWN-AKG-1DR-12X, OPTION: 0218, -12V, B03 IS A 200 MHz TO 18 GHz SINGLE POLE SINGLE THROW SWITCH, ISOLATION IS 70 dB MINIMUM, INSERTION LOSS IS 3.5 dB MAXIMUM. IT IS DESIGNED TO OPERATE WITH FAST SWITCHING SPEEDS.

ZONE		REV.	DESCRIPTION	DATE	APPROVED
		-	ORIGINAL RELEASE	JOB#403052NX 4/22/04	AM

MECHANICAL OUTLINE



BLOCK DIAGRAM



ALL DIMENSIONS ARE IN INCHES
TOLERANCES:
X.XX ±0.010
X.XXX ±0.005

AMERICAN MICROWAVE CORPORATION

7311-G GROVE ROAD
FREDERICK, MARYLAND 21704 USA
TEL: 301-662-4700 FAX: 301-662-4938
WEBSITE: www.americanmicrowavecorp.com
E-MAIL: sales@americanmicrowavecorp.com
ISO 9001:2000 CERTIFIED



APPROVALS		DATE	TITLE			REV.
DRAWN	<i>gdf</i>	4/22/04	MECHANICAL OUTLINE			-
CHECKED	<i>PA</i>	5/16/04	SWN-AKG-1DR-12X			-
ISSUED			OPTION: 0218, -12V, B03			-
SIZE	FSCM NO.	DWG NO.				
A	60483	100-6969				
SCALE N:S		SHEET		2 OF 3		

DESCRIPTION:

AMC MODEL SWN-AKG-1DR-12X, OPTION: 0218, -12V, B03 IS A 200 MHz TO 18 GHz SINGLE POLE SINGLE THROW SWITCH, ISOLATION IS 70 dB MINIMUM, INSERTION LOSS IS 3.5 dB MAXIMUM. IT IS DESIGNED TO OPERATE WITH FAST SWITCHING SPEEDS.

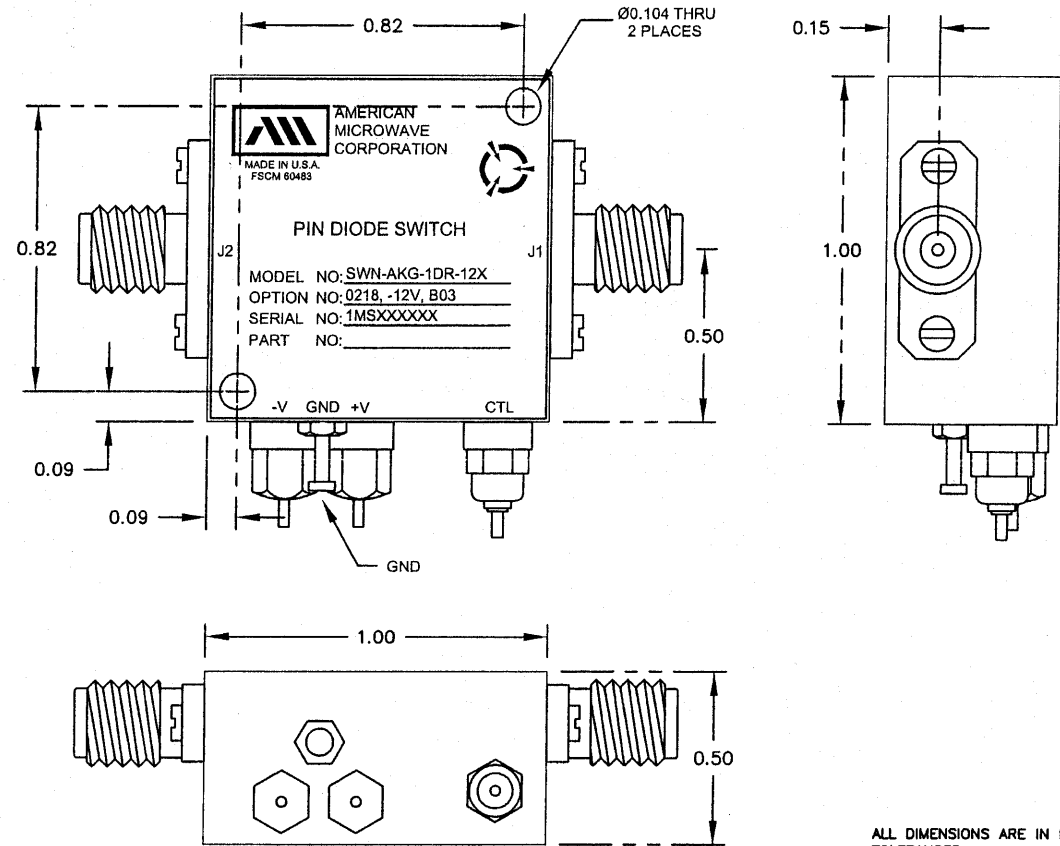
REVISIONS				
ZONE	REV.	DESCRIPTION	DATE	APPROVED
	-	ORIGINAL RELEASE	JOB#403052NX 4/22/04	<i>RJ</i>

SPECIFICATIONS:

- FREQUENCY: 0.2 - 18 GHz
- VSWR: 2.0:1 MAXIMUM
- ISOLATION: 70 dB MINIMUM
- INSERTION LOSS: 3.5 dB MAXIMUM
- RISE TIME: 10 nSec MAXIMUM
- FALL TIME: 10 nSec MAXIMUM
- DELAY ON: 30 nSec MAXIMUM
- DELAY OFF: 15 nSec MAXIMUM
- CONTROL: TTL LOGIC "0"=OFF
TTL LOGIC "1"=ON
- DC POWER SUPPLY: +5 VDC @ +60 mA MAXIMUM
-12 VDC @ -60 mA MAXIMUM
- SIZE: 1.00"(L) X 1.00"(W) X 0.50"(H)

OPTIONS:

- 0218 0.2 - 18 GHz FREQUENCY RANGE
- -12V -12 V POWER SUPPLY
- B03 INVERSE LOGIC



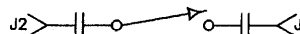
ALL DIMENSIONS ARE IN INCHES
TOLERANCES:
X.XX ±0.010
X.XXX ±0.005

ENVIRONMENTAL RATINGS:

- TEMPERATURE: -55°C TO +85°C (OPERATING)
-65°C TO +125°C (NON-OPERATING)
- HUMIDITY: MIL-STD-202F, METHOD 103B COND. B
- SHOCK: MIL-STD-202F, METHOD 213B COND. B
- VIBRATION: MIL-STD-202F, METHOD 204D COND. B
- ALTITUDE: MIL-STD-202F, METHOD 105C COND. B
- TEMPERATURE CYCLE: MIL-STD-202F, METHOD 107D COND. A

NOTE: THE ABOVE SPECIFICATIONS ARE SUBJECT TO CHANGE OR REVISION

BLOCK DIAGRAM



AMERICAN MICROWAVE CORPORATION

7311-G GROVE ROAD
FREDERICK, MARYLAND 21704 USA
TEL: 301-662-4700 FAX: 301-662-4938
WEBSITE: www.americammicrowavecorp.com
E-MAIL: sales@americammicrowavecorp.com
ISO 9001:2000 CERTIFIED



APPROVALS		DATE	TITLE			REV.
DRAWN <i>J29</i>		4/22/04	PRODUCT FEATURE			
CHECKED <i>RA</i>		5/4/04	SWN-AKG-1DR-12X			
ISSUED			OPTION: 0218, -12V, B03			
SIZE	FSCM NO.	DWG NO.				
A	60483	100-6969				
SCALE N:S			SHEET 1 OF 3			